



CONDAIR MK5

Resistive steam humidifier
With patented scale management system



Humidification and Evaporative Cooling

 **conda**ir

Mains, softened or demineralised water

The Condair MK5 can operate on any water quality. When used with a demineralised water supply the humidifier can offer $\pm 1\%RH$ control and requires very little maintenance.

Due to the system's patented scale management system, even when the humidifier is operating with hard water, the scale can easily be removed quickly and efficiently.

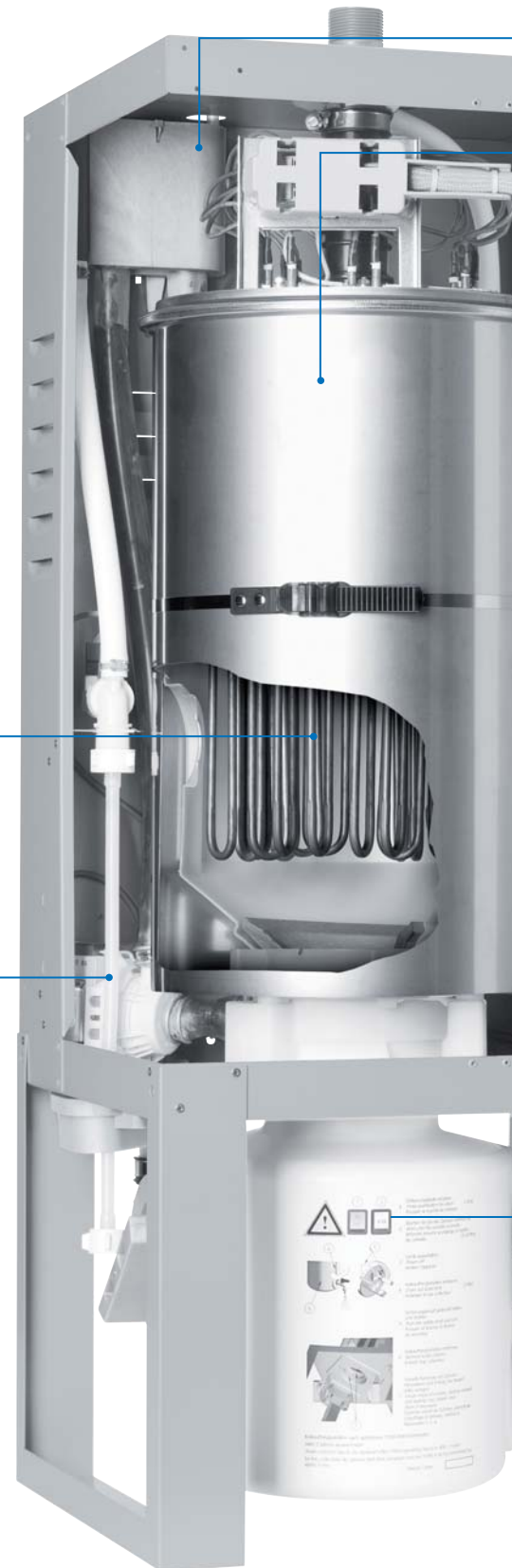
Resistive heating elements offer close control

Consistent and accurate humidity control is offered with resistance heater technology. Unlike electrode boiler humidifiers, the water level inside the heating chamber remains constant and the heating elements continue to operate even during mineral dilution cycles. This provides a consistent steam output and accurate humidity control.

Incoloy heating elements with staged operation prevent current peaks on start up. Scale detaches from them during operation and falls into the scale collection tank at the bottom of the humidifier for easy removal.

Innovative pumped drain

The drain is located above the scale collector tank so minerals are collected rather than causing blockages in drain pipe work.



Condair MK5

Resistive steam humidifier with scale management



Durable casing

Steel powder-coated case with stainless steel option.

Stainless steel boiling cylinder

The Condair MK5 does away with the expense of disposable plastic boiling cylinders significantly reducing operating costs.

Electronic float level sensor

Provides reliable water level control.

Easy to control

An ergonomic keypad and backlit display make the Condair MK5 easy to use. Operational status, fault and service requirements are visually indicated.

Continuous control of steam output from 0-100% of its range provides close humidity control.

Scale collector tank

An externally located tank at the bottom of the boiling chamber collects the scale that detaches from the heating elements. It can be drained, removed, emptied of scale and reattached within minutes making essential maintenance quick and simple.

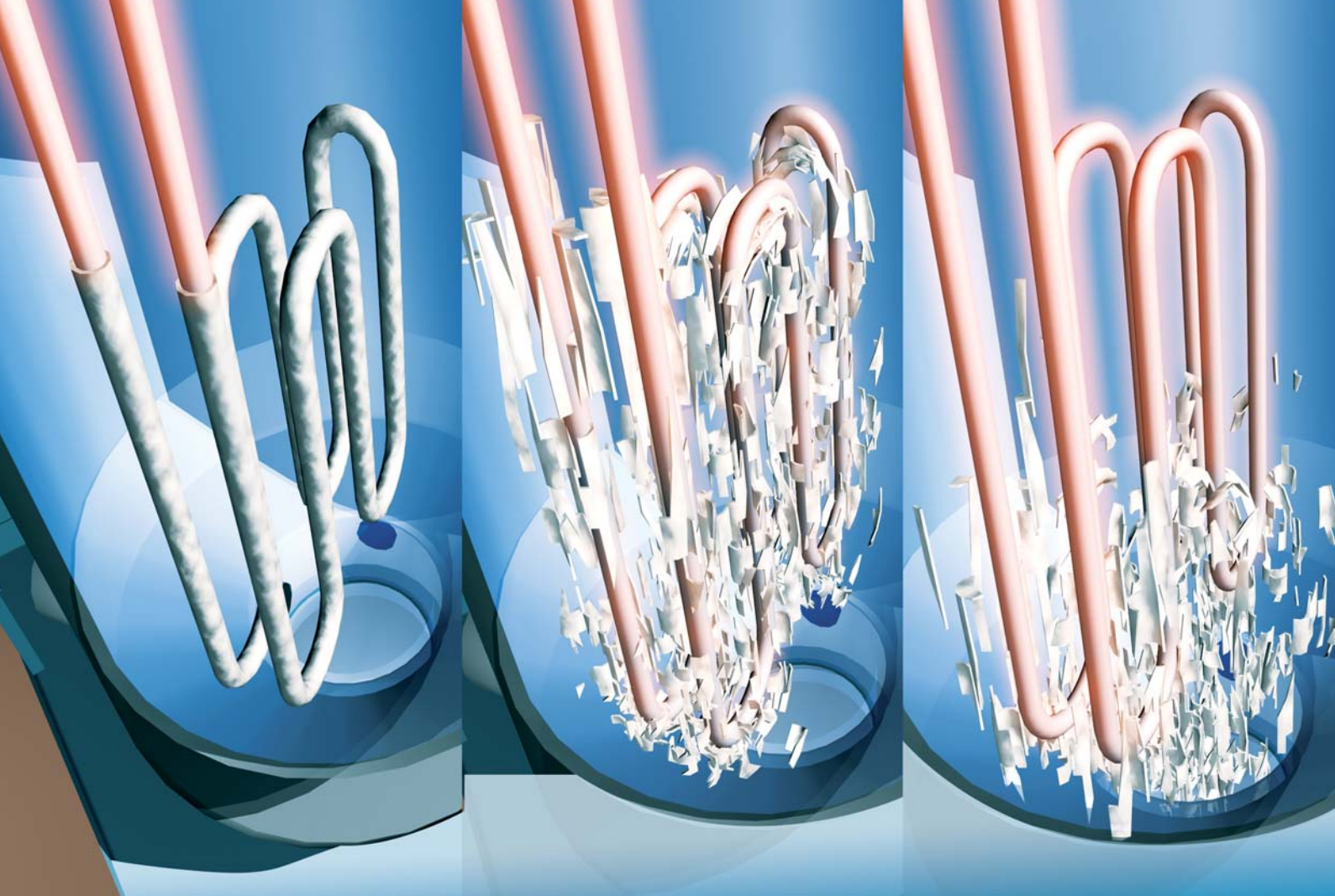
Protection brackets for scale collector tank

The Condair MK5 resistive steam humidifier provides reliable and accurate humidity control with minimal maintenance and without the expense of replaceable boiling cylinders.

Patented scale management technology allows scale deposits to be easily removed from the system quickly and efficiently.

A control accuracy of $\pm 2\%RH$ can be

achieved with mains water or $\pm 1\%RH$ with a demineralised water supply. The system is easy to install with quality, compact construction. The CrNi stainless steel cylinder and incoloy heating elements are extremely robust and provide a long operational lifetime.



Patented scale management

When operated on mains water all steam humidifiers will build up lime scale in the boiling chamber as water evaporates. How a humidifier manages this scale determines how easy the system is to use and service. The Condair MK5's patented scale management system makes it the easiest and most user-friendly steam humidifier in the World, ensuring long operational periods and short maintenance intervals.

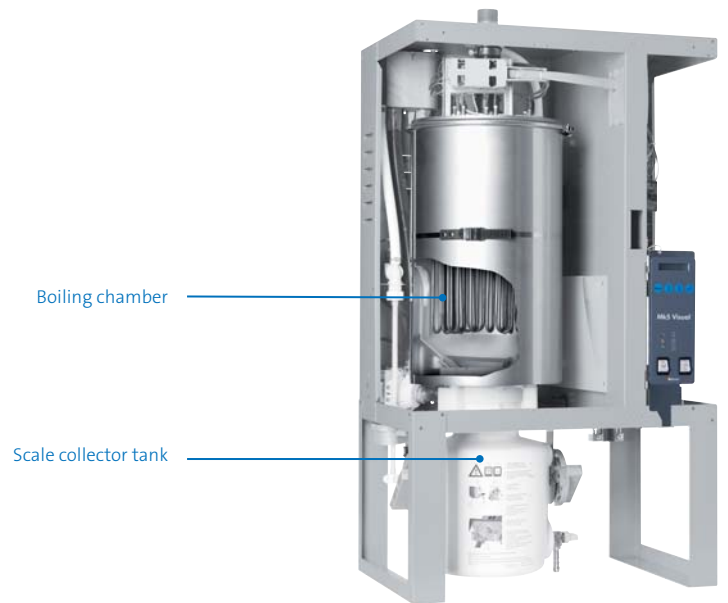
Quick and easy to service

Scale that forms on the heating elements cracks off as they expand during operation. The scale then falls into a scale collector tank located at the bottom of the system.

The externally located scale collector tank allows servicing to take place without having to open the humidifier's casing. To remove the scale the system is drained then the scale collector tank is unlocked and lowered with its ergonomic handles. The tank is then emptied and reattached allowing the system to be operational again within minutes.

Innovative pumped drain

The pumped drain is located above the scale collector tank so that hard scale deposits that may normally be flushed to drain are retained in the system for disposal. This avoids problems with the humidifier causing blockages in a building's drainage pipe work.





Remote monitoring & control with e-LINKS.

An optional e-LINKS feature enables the linking of the Condair MK5 to a building management system. Control and monitoring of the humidification system can then be carried out from a PC.

The e-LINKS card allows each humidifier in the system to be individually addressed. The interface is compatible with Modbus, BACnet/IP and LonWorks protocols.

Modbus®

 BACnet™

 LONWORKS



Flexible water options

The Condair MK5 can operate on mains, softened or demineralised water. When used with mains water the humidifier will provide up to $\pm 2\%RH$ humidity control and up to $\pm 1\%RH$ when used with a demineralised supply.

A demineralised supply will also virtually eliminate scale build-up within the system, reducing maintenance time and operating costs. It also reduces the overall energy

consumption of the humidifier as the system isn't running dilution cycles to control the water's mineral content, which avoids sending expensive hot water to drain.

Condair manufactures and supplies a wide range of water treatment solutions specifically designed for use with humidification systems.



PureFlo Reverse Osmosis Water Filter

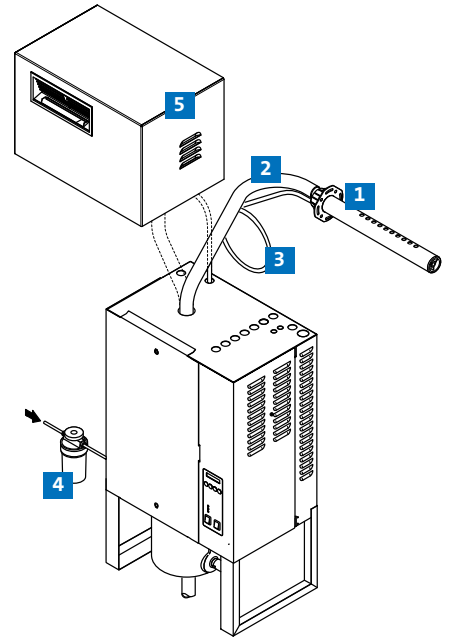
Designed for use with humidification systems such as the Condair MK5

Standard system

- Stainless steel steam cylinder
- Steel powder-coated case
- External scale collector tank
- Control panel
- Self-diagnostic system
- Hours run timer

Accessories

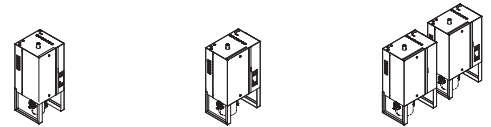
- 1 Steam lance (in-duct)
- 2 Steam hose
- 3 Condensate hose
- 4 Water filter
- 5 Fan distribution system (in-room)



Options

- Stainless steel casing
- OptiSorp short evaporation steam distribution system
- e-LINKS connection to BMS
- Humidity sensors for in-duct/direct room
- Hygrostats
- PureFlo reverse osmosis water filter

Technical data



MKS Visual/Process		5	8	10	16	20	24	30	40	50	60	80	
Heating voltage		Maximum steam output in kg/h											
400 VAC / 3Ph / 50..60Hz	kg/h	5.0	8.0	10.0	16.0	20.0	24.0	30.0	40.0	50.0	60.0	80.0	
230 VAC / 1Ph / 50..60Hz	kg/h	5.0	8.0	10.0	-	-	-	-	-	-	-	-	
Control voltage		230 VAC / 1 Ph / 50..60Hz											
Dimensions (WxHxD)	mm 1	500 x 1087 x 437				594 x 1087 x 382				2x 594 x 1087 x 382			
Operating weight	kg	51	51	52	53	71	73	73	74	144	146	148	
Conformities		CE, VDE, SVE											

Subject to technical changes