

JM Bifurcated Series 33 Fan

- 152mm - 305mm diameter
- Volume flow up to 0.89m³/s
- Static pressures up to 380 Pa
- Suitable for temperatures up to 200°C
- Motor protection IP55
- Series 33 is cost effective solution to Bifurcated applications

Sizes

25JM.Bif - 254mm, 30JM.Bif - 305mm.

Fan Performance

Ideally suited for exhausting or recirculating fumes, gases and hot air up to temperatures of 200°C. Motor must have access to ambient air. All fans have non overloading characteristics.

Impellers

Cast in aluminium silicon alloy and have a fixed pitch aerofoil section blade. This ensures strength, reliability and performance at high temperature.

Motors

All motors are totally enclosed fan cooled, class F insulation with motor protection to IP55. All motors are supplied with sealed for life bearings.

Electrical Supply

380 - 420V / 50Hz / 3φ

Temperature Range

Up to 200°C.

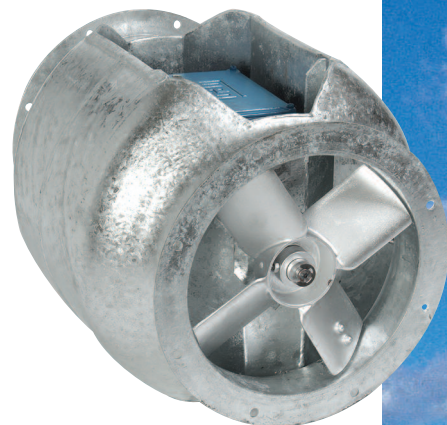
For higher temperatures please enquire.

Casings

All casings are hot dip galvanised for long life and a high resistance to corrosion. A seal is provided on the motor shaft.

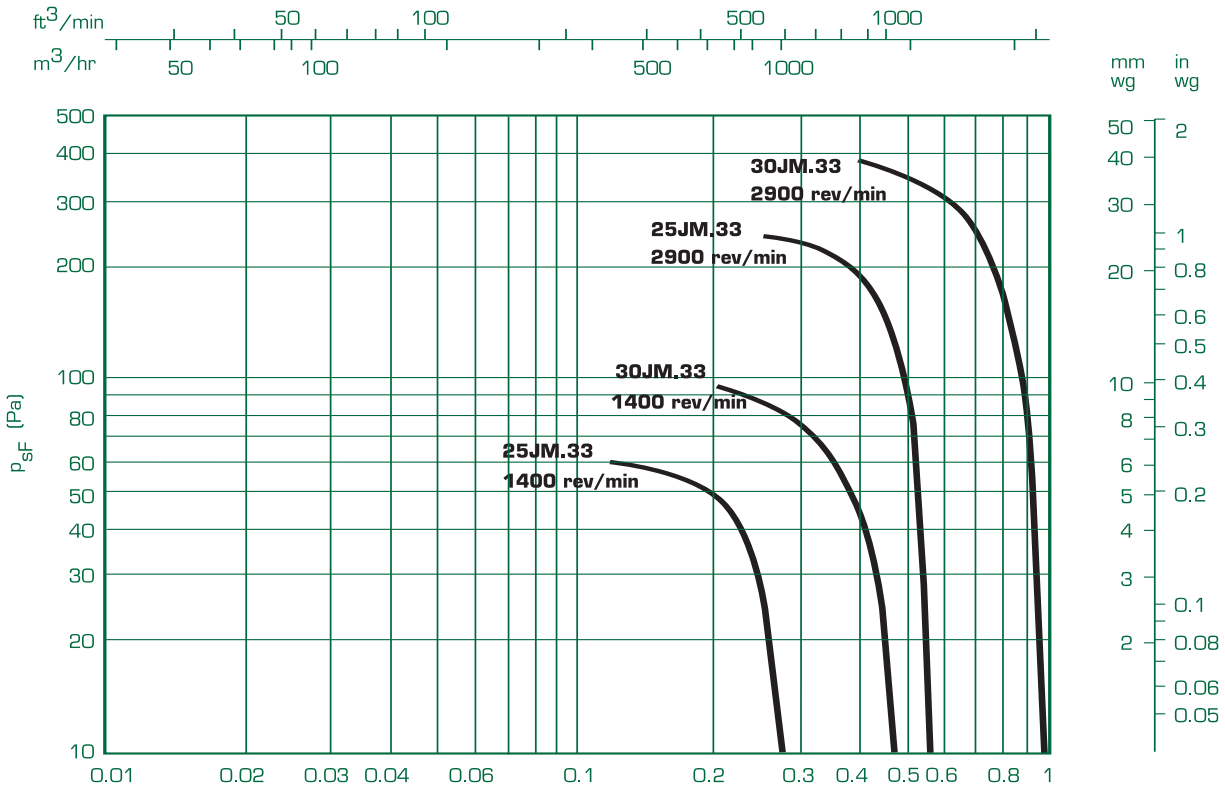
Accessories

Silencers, Mounting feet/plates, Vibration isolators, Matching flanges, High temperature flexible connectors.



JM Bifurcated Series 33 Fan

Performance



Product Code	Speed rev/min	m^3/s at Pa (Static)								
		0	25	50	75	100	150	200	250	375
25JM.Bif.33	1400	0.29	0.25	0.19	0.51	0.49	0.46	0.38		
25JM.Bif.33	2900	0.57	0.54	0.52	0.51	0.49	0.46	0.38		
30JM.Bif.33	1400	0.49	0.44	0.38	0.31					
30JM.Bif.33	2900	0.98	0.96	0.93	0.91	0.88	0.83	0.77	0.70	0.44

Electrical Data

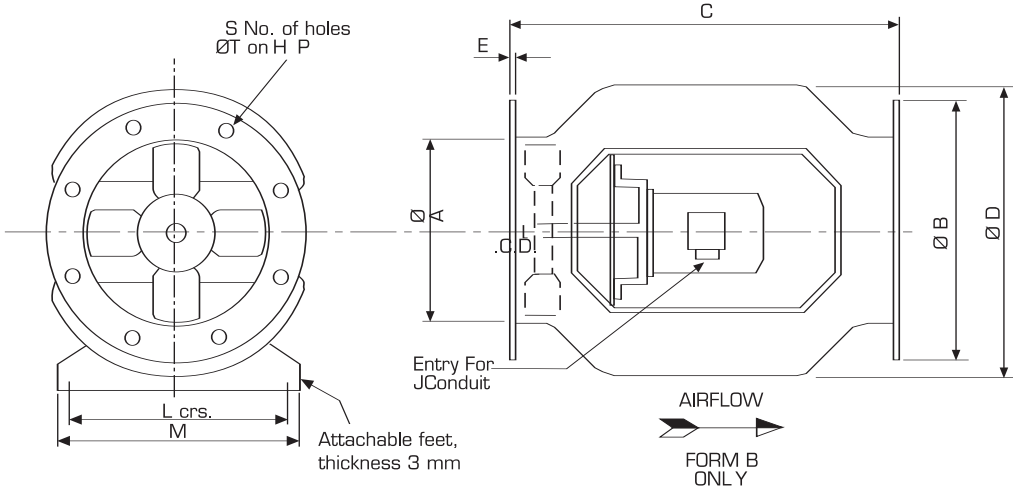
Product Code	Speed rev/min	Motor	380-420V/50Hz/3 ϕ					Sound Level dBA
			Product Number	Motor Rating (kW)	Full Load Current (at 400V) (A)	Starting Current (at 400V) (A)	Speed Controller Inverter	
25JM.Bif.33	1400	D63	DB215608	0.18	0.57	2.28	FWD1	40
25JM.Bif.33	2900	D71	DB215609	0.37	0.9	4.95	FWD1	55
30JM.Bif.33	1400	D63	DB025608	0.18	0.57	2.28	FWD1	46
30JM.Bif.33	2900	D71	DB025609	0.37	0.9	4.95	FWD1	63

Sound pressure levels quoted are average dBA at 3m distance over a sphere, based on form B running under free field conditions, and are presented for comparative purposes only. Cylindrical silencers are available.



JM Bifurcated Series 33 Fan

Dimensions



Product Code	Motor Range	A	B	C	D	E	H	J	L	M	S	T	Weight (kg)
25JM.33	D63	254	324	489	400	2	299	CM20	222	254	8	10	21
25JM.33	D71	254	324	489	400	2	299	CM20	222	254	8	10	24
30JM.33	D63	305	375	584	470	2	349	CM20	273	305	8	10	26
30JM.33	D71	305	375	584	470	2	349	CM20	273	305	8	10	28

All dimensions shown in mm.

For a full range of accessories including silencers, speed controllers and mountings, please refer to page 33.